

COMMERCIAL DOCUMENTATION

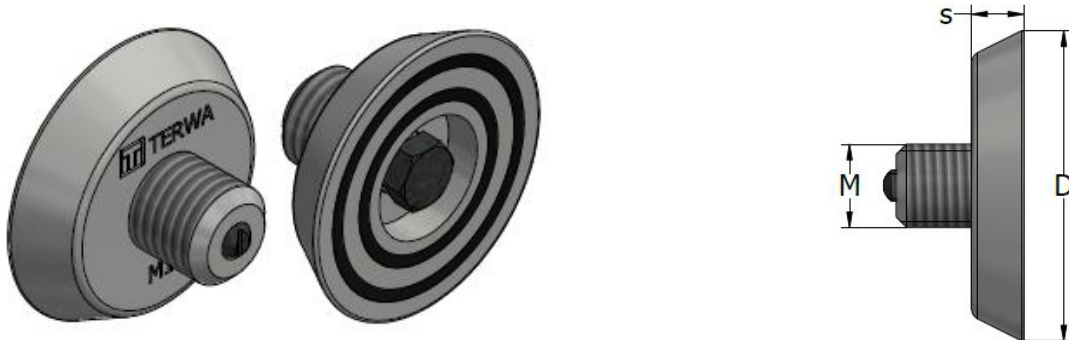


1D-HD - LIFTING SYSTEMS | **TPM STEEL MAGNETIC PLATE**



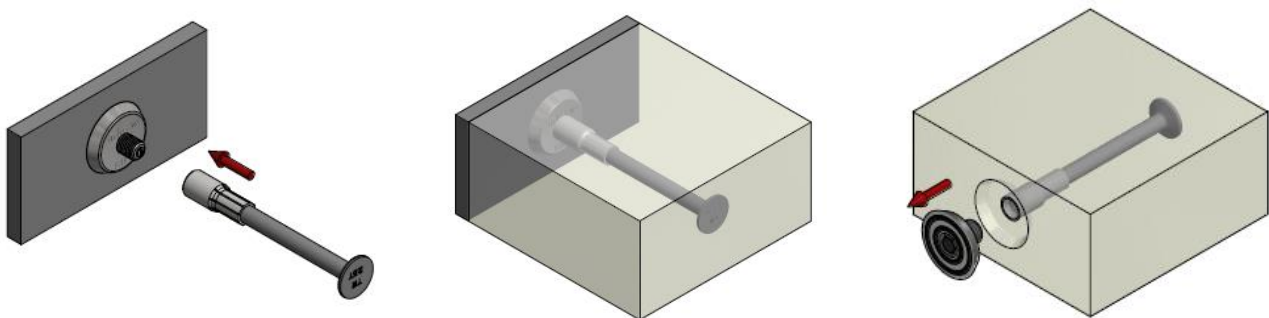
STEEL MAGNETIC PLATE - TPM

The plates with TPM are used for affixing the anchors and the lifting sockets to the steel formwork. The fixing flange ensures a minimum recess around the head of the anchor. When using this magnetic recess former, it is very important that the surface of the formwork is clean. The recess is filled with fine concrete for protection against corrosion.



TPM-10	Product no.	Thread	Diam. D	s
		M	[mm]	[mm]
TPM-10-M12	63867	12	47	10
TPM-10-M16	63868	16	47	10
TPM-10-M20	63869	20	60	10
TPM-10-M24	63870	24	60	10
TPM-10-M30	63871	30	73	10
TPM-10-M36	63872	36	73	10
TPM-10-M42	63873	42	96	12
TPM-10-M52	63874	52	96	12

Note: They are powerful magnets, so please be careful of your hands when mounting them on the steel formwork.



CONTACT



TERWA is the global supplier for precast and construction solutions with multiple offices around the world. With all our staff, partners and agents, we are happy to provide all construction and precast companies who work in the building industry with full service and 100% support.

TERWA CONSTRUCTION GROUP

Terwa Construction Netherlands (HQ)

Global Sales & Distribution
 Kamerlingh Onneslaan 1-3
 3401 MZ IJsselstein
 The Netherlands
T +31-(0)30 699 13 29
F +31-(0)30 220 10 77
E info@terwa.com

Terwa Construction Central East Europe

Sales & Distribution
 Strada Sânzieni
 507075 Ghimbav
 Romania
T +40 372 611 576
E info@terwa.com

Terwa Construction Poland

Sales & Distribution
 Ul. Cicha 5 lok. 4
 00-353 Warszawa
 Poland
E info@terwa.com

Terwa Construction India & Middle East

Sales & Distribution
 India
T +91 89 687 000 41
E info@terwa.com

Terwa Construction China

Sales & distribution
 5F 504, No. 101 Chuanchang road
 PRC, 200032, Shanghai
 China
E info@terwa.com

ALL SPECIFICATIONS CAN BE CHANGED WITHOUT PREVIOUS NOTICE.

DISCLAIMER

Terwa B.V. is not liable for deviations due to wear of the products it has delivered. Neither is Terwa B.V. liable for damage due to inaccurate and/or improper handling and use of the products it has delivered and/or use of same for purposes other than those intended.

Terwa B.V.'s responsibility is furthermore limited in accordance with article 13 of the "Metaalunie" conditions, which are applicable for all Terwa B.V. deliveries. The user is responsible for ensuring compliance with all applicable copyright laws. Without limiting the rights under copyright, no part of this documentation may be reproduced, stored in or introduced into a retrieval system, or transmitted in any form or by any means (electronic, mechanical, photocopying, recording, or otherwise), or for any purpose, without the express written permission of Terwa B.V.